

User's Manual



■ Features

- Uninterruptible DC-UPS controller
- Parallel connection to DC BUS
(Power supply + DC-UPS Module + Batteries + Load)
- Suitable for 24V system, up to 20A
- 2A Battery charging current
- Allows 4AH~135AH lead-acid various battery capacities
- Complete diagnostic and monitoring for DC BUS OK, battery discharge, battery fail
- LED indicator for signal status
- Protections: Battery reverse polarity protection & Short circuit(By internal detection)
/ Battery discharge / Over discharge current
- Cooling by free air convection
- Width only by 40mm
- 3 years warranty

■ Applications

- Industrial control system
- Semiconductor fabrication equipment
- Factory automation
- Electro-mechanical apparatus

■ GTIN CODE

MW Search: <https://www.meanwell.com/serviceGTIN.aspx>

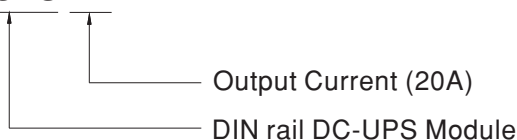
■ Description

The DUPS20 is a 20A DIN rail type DC-UPS module, and it is paired with a power supply and an external battery to achieve the backup function. When the AC mains fails or is interrupted, the load will be immediately connected to the battery pack to avoid interruption and to ensure the continuous operation of the entire system (the operating time depends on the capacity of the battery pack).

The main features of DUPS20 include: fast installation, small size (only 40mm wide)suitability for 24V battery packs and various capacities of 4AH~135AH, 2A battery charging current, low voltage disconnect for battery protection and more. The product is suitable for use in data centers, security systems, emergency lighting, wireless communication UPS, central monitoring systems, etc.

■ Model Encoding

DUPS 20

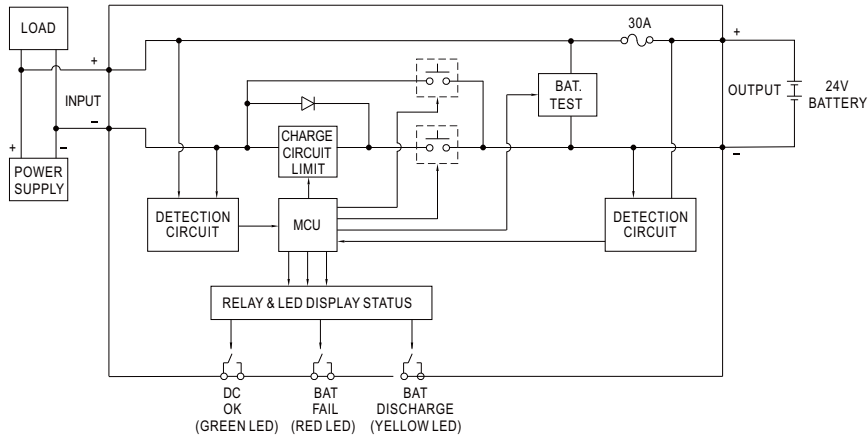




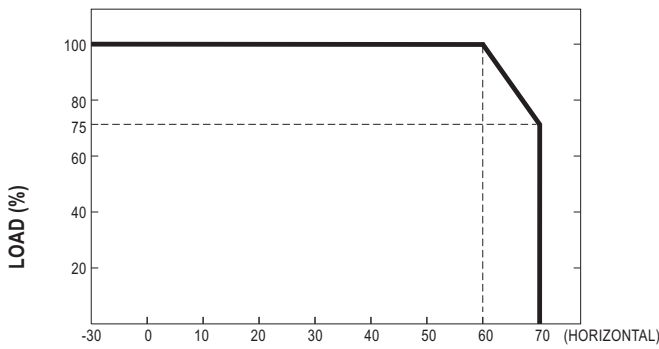
SPECIFICATION

MODEL	DUPS20			
DC UPS INPUT	NORMAL INPUT VOLTAGE	24Vdc		
	INPUT VOLTAGE RANGE	24 ~ 29Vdc		
	RATED CURRENT	20A		
DC UPS OUTPUT	VOLTAGE RANGE	21 ~ 29Vdc		
	DISCHARGE CURRENT RANGE	0 ~ 20A		
	CHARGING CURRENT	2A		
BATTERY	NORMAL BATTERY VOLTAGE	24Vdc (2 x 12Vdc in series or 1 x 24Vdc)		
	BATTERY TYPE	Lead-acid battery		
	EXTERNAL BATTERY CAPACITIES	4AH ~ 135AH		
PROTECTION	BATTERY POLARITY	Protected by internal detection, No Damage, recovers automatically after fault conduction is removed		
	SHORT CIRCUIT	This protection only works when batteries are not connected, No Damage. External fuse is recommended when batteries are connected.		
	OVER DISCHARGE CURRENT	21~23A, After 3 sec., unit will cut-off battery discharging by relay		
	BATTERY DEEP DISCHARGE	Cut-off battery discharging by relay		
FUNCTION	RELAY CONTACT RATINGS (max.)	30VDC/1A resistive load		
	DC BUS OK	Relay contact : Short when DC voltage between 21~29V(±2%), relay contacts LED(Green) : DC BUS OK : light ; DC BUS fail : dark		
	BATTERY FAIL	Note.2	Short when battery voltage falls below 22V(±2%) or battery failure is observed through the battery test function, relay contacts LED(Red) : Battery over-discharge warning or battery broken : light ; Battery OK : dark	
	BATTERY DISCHARGE		Relay contact : Short when battery in discharge condition, relay contacts LED(Yellow) : light ; Battery discharging ; dark : Battery is not discharging or discharging current < 1.0A	
	COOLING		Free air convection	
ENVIRONMENT	WORKING TEMP.	Note.3	-30 ~ +70°C (Refer to "Derating Curve")	
	WORKING HUMIDITY		5 ~ 95% RH non-condensing	
	STORAGE TEMP.		-40 ~ +85°C	
	TEMP. COEFFICIENT		±0.03%/°C (0 ~ 60°C)	
	VIBRATION		Component:10 ~ 500Hz, 2G 10min./1cycle, 60min. each along X, Y, Z axes; Mounting: Compliance to IEC60068-2-6	
	OPERATING ALTITUDE	Note.4	2000 meters/OVC II	
SAFETY & EMC (Note.5)	SAFETY STANDARDS	UL62368-1, EAC TP TC 004 approved		
	WITHSTAND VOLTAGE	IP/OP - Chassis : 0.5KVac ; IP/OP- Relay : 0.5KVac ; Relay - Chassis : 0.5KVac		
	ISOLATION RESISTANCE	IP/OP - Chassis, IP/OP- Relay, Relay - Chassis:>100M Ohms / 500Vdc / 25°C / 70% RH		
	EMC EMISSION	Parameter	Standard	Test Level / Note
		Conducted	----	----
		Radiated	BS EN/EN55032(CISPR32)	Class B
		Voltage Flicker	----	----
		Harmonic Current	----	----
	EMC IMMUNITY	BS EN/EN55035, BS EN/EN61000-6-2, BS EN/EN61204-3		
		Parameter	Standard	Test Level / Note
		ESD	BS EN/EN61000-4-2	Level 3, 8KV air ; Level 2, 4KV contact; criteria B Level 2, 4KV air ; Level 1, 2KV contact; criteria A
		Radiated	BS EN/EN61000-4-3	Level 3, 10V/m ; criteria A
		EFT / Burst	BS EN/EN61000-4-4	Level 3, 2KV ; criteria A
		Surge	BS EN/EN61000-4-5	Level 3, 0.5KV(DC input ports)
Conducted		BS EN/EN61000-4-6	Level 3, 10V ; criteria A	
Magnetic Field		BS EN/EN61000-4-8	Level 4, 30A/m ; criteria A	
OTHERS	MTBF	1252.0K hrs min. Telcordia SR-332 (Bellcore) ; 482.1K hrs min. MIL-HDBK-217F (25°C)		
	DIMENSION	40*125.2*113.5mm (W*H*D)		
	PACKING	0.31Kg; 20pcs/7.2Kg/1.16CUFT		
NOTE	<p>1. All parameters NOT specially mentioned are measured at normal input(24V) , rated load and 25°C of ambient temperature.</p> <p>2. Every 30 seconds, unit will test the battery.If the testing result is faulty, unit will turn on "Battery Fail" relay contact and "Red LED" indicator.</p> <p>3. Derating may be needed over high ambient temperature. Please check the derating curve for more details.</p> <p>4. The ambient temperature derating of 3.5°C/1000m with fanless models and of 5°C/1000m with fan models for operating altitude higher than 2000m(6500ft).</p> <p>5.The unit is considered a component which will be installed into a final equipment. All the EMC tests are been executed by mounting the unit on a 360*720mm metal plate with 1mm of thickness. The final equipment must be re-confirmed that it still meets EMC directives. For guidance on how to perform these EMC tests,please refer to "EMI testing of component power supplies." (as available on https://www.meanwell.com/Upload/PDF/EMI_statement_en.pdf)</p> <p>※ Product Liability Disclaimer : For detailed information, please refer to https://www.meanwell.com/serviceDisclaimer.aspx</p>			

Block Diagram

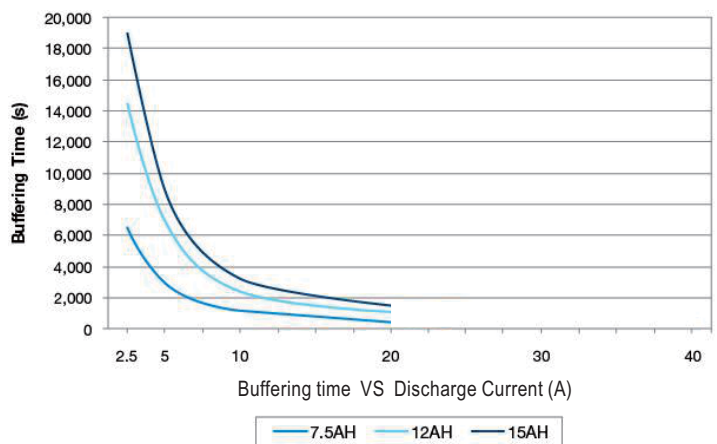


Derating Curve



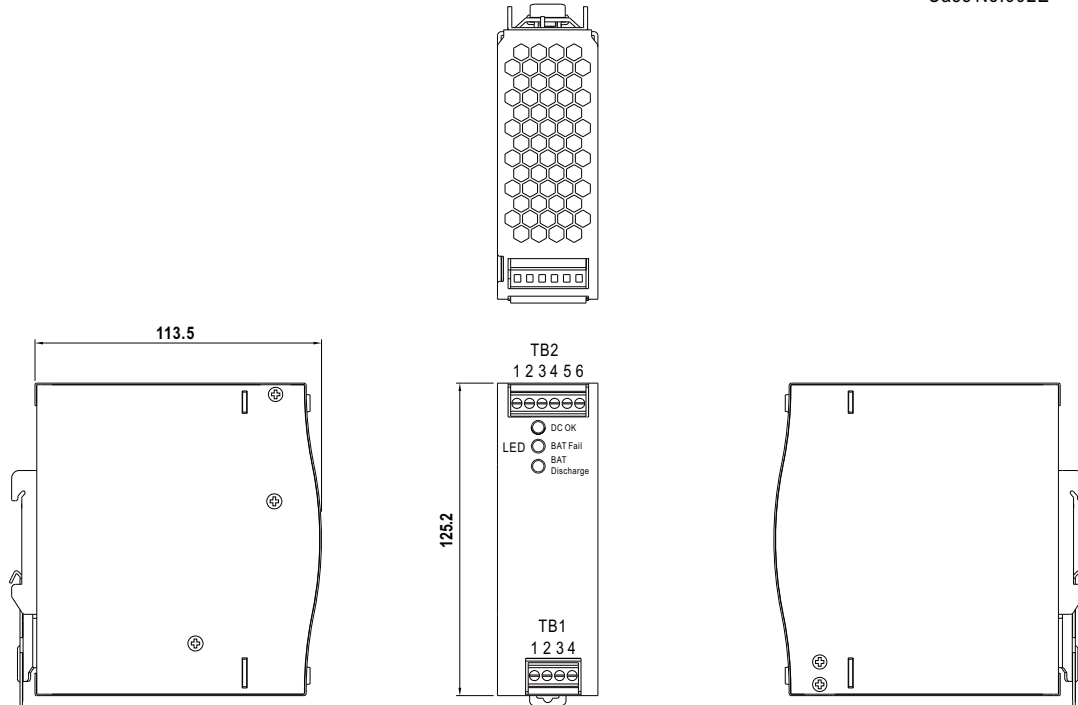
Buffering Time

Discharge Current	Buffering Time(Reference)		
	7.5AH	12AH	15AH
2.5A	6500s	14500s	19000s
5A	3000s	7000s	9000s
10A	1200s	2400s	3200s
20A	400s	1100s	1500s



Mechanical Specification

Case No.992E Unit:mm



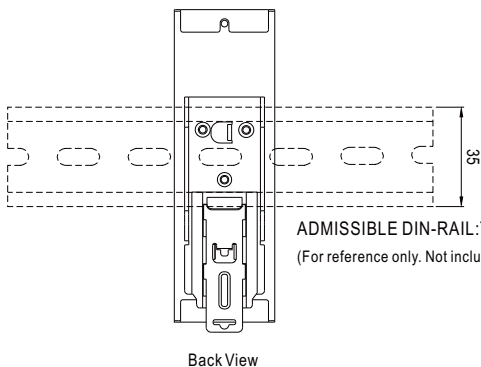
Terminal Pin No. Assignment (TB1)

Pin No.	Assignment
1	BAT INPUT +
2	BAT INPUT -
3	DC INPUT -
4	DC INPUT +

Terminal Pin No. Assignment (TB2)

Pin No.	Assignment	LED
1	BAT Discharge	YELLOW
2		
3	BAT Fail	RED
4		
5	DC OK	GREEN
6		

Installation Instruction



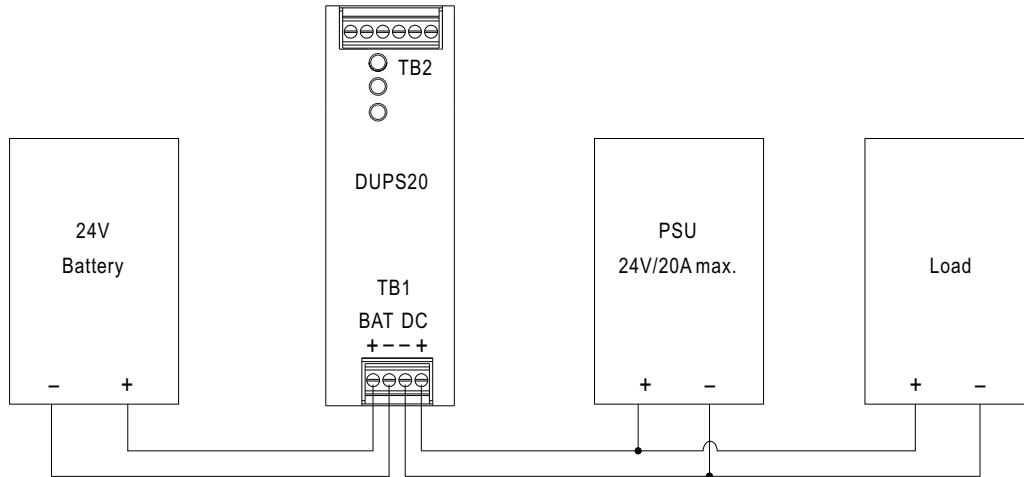
ADMISSIBLE DIN-RAIL: TS35/7.5 OR TS35/15
(For reference only. Not included with unit.)

Back View

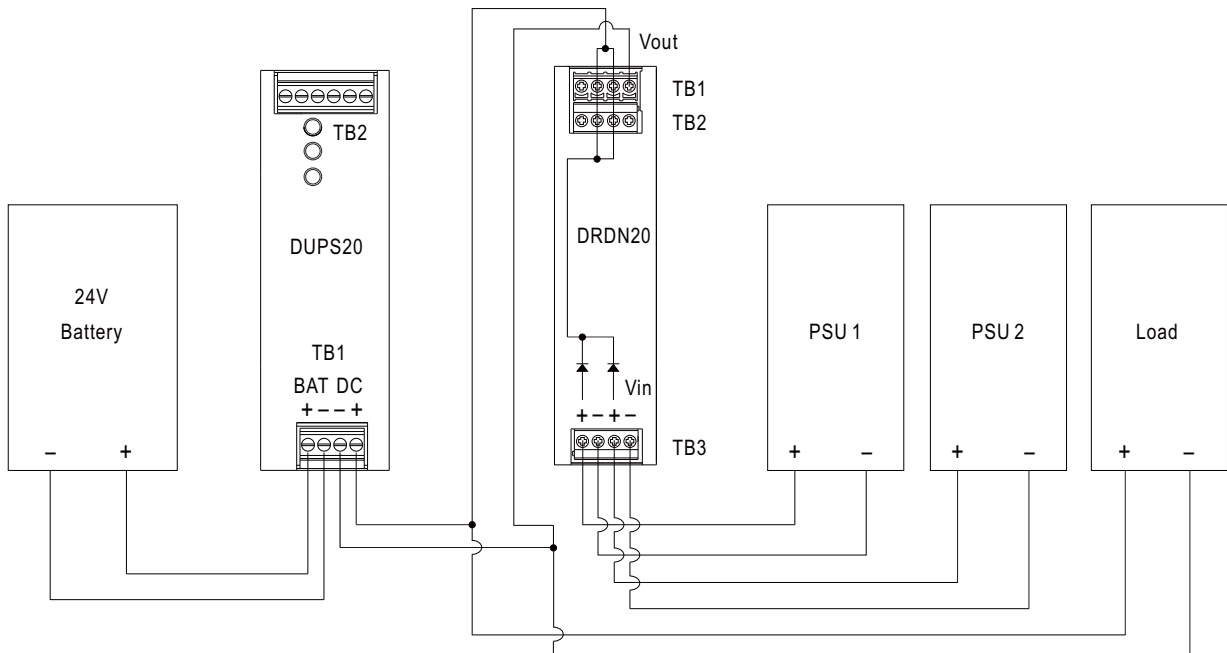
This series fits DIN rail TS35/7.5 or TS35/15.
For installation details, please refer to the Instruction manual.

■ Suggested Application

1. Back up connection for AC interruption



2. Combine redundancy module (DRDN20) to back up AC interruption or failure of PSU



■ Installation Manual

Please refer to : <http://www.meanwell.com/manual.html>